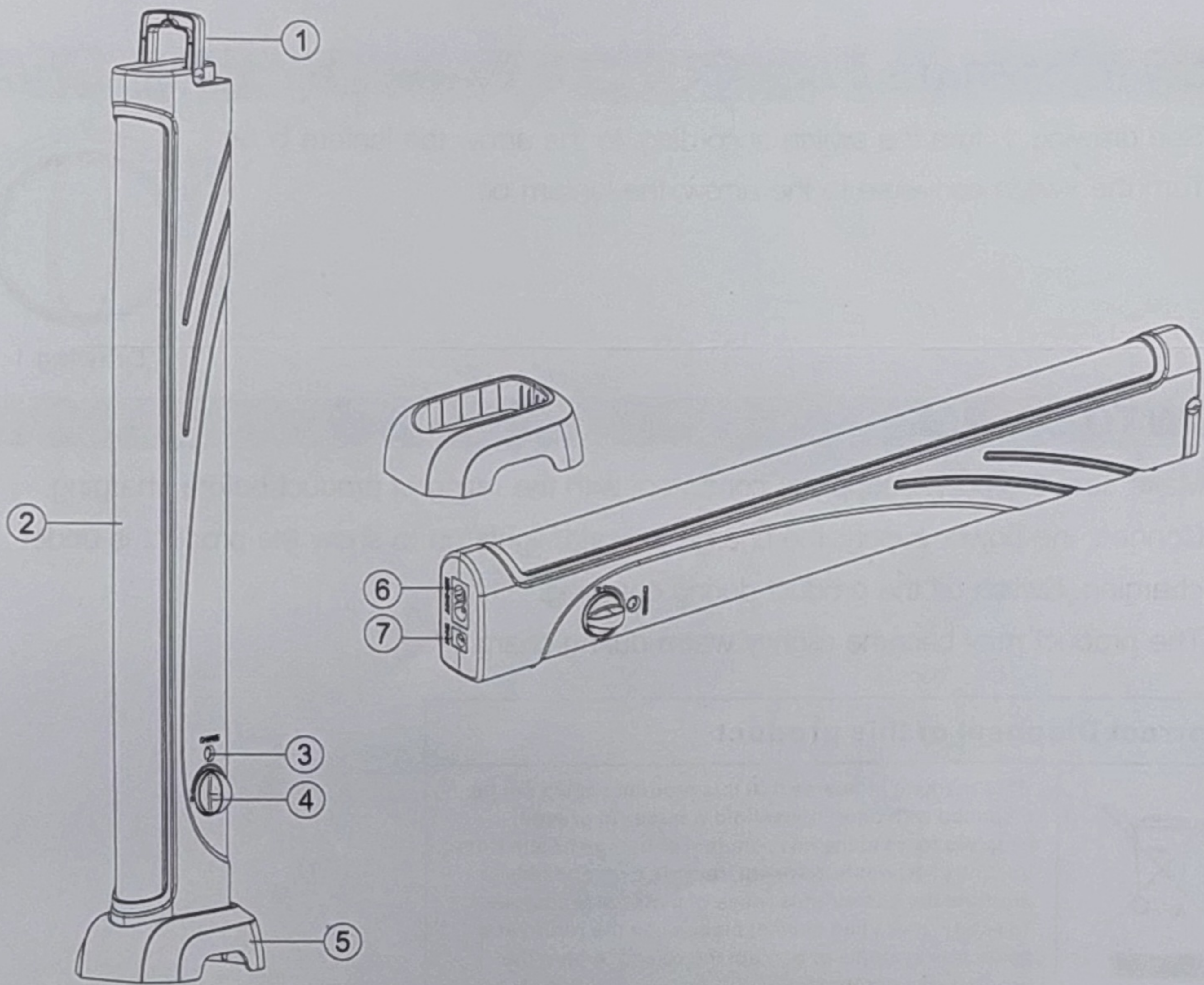




MODEL: JL-8120L

INSTRUCTION MANUAL

RECHARGEABLE LED LANTERN



1. Handle
2. LED
3. Charge Indicator
4. Switch

5. Bottom
6. AC Socket
7. DC Socket

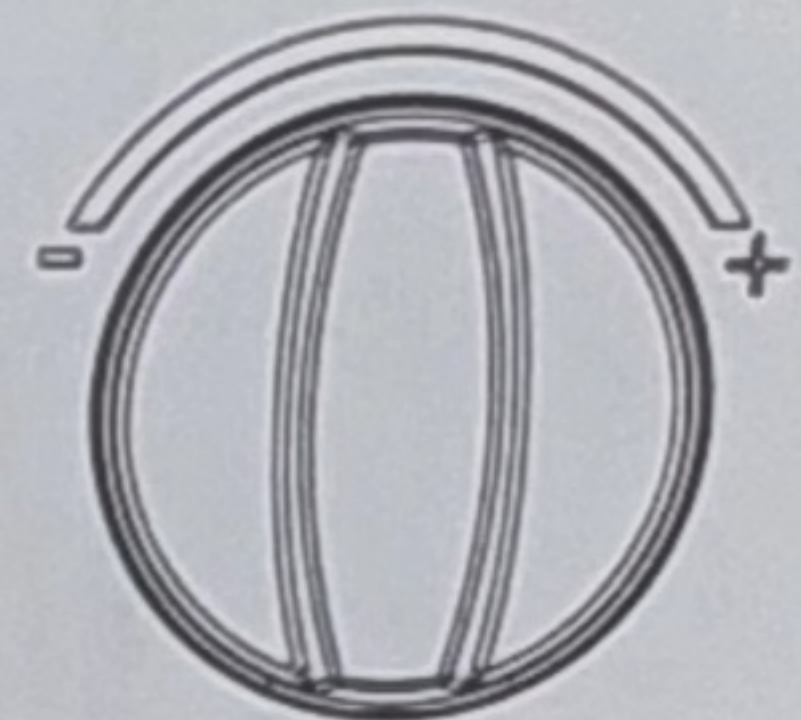
Thank you for using our product, please read the instruction manual carefully before initial use.

IMPORTANT NOTICE

- * This appliance is not intended for use by person (including children) with reduced physical, sensory or mental capabilities, or lack of experience and knowledge, unless they have been given supervision or instruction concerning use of the appliance by a person responsible for their safety.
- * Children should be supervised to ensure that they do not play with the appliance.
- * "X" type supply cord: If the supply cord is damaged, it must be replaced by a special cord or assembly available from the manufacturer or its service agent.
 1. Fully charge the product before use. Read "HOW TO CHARGE".
 2. Switch off the product during storage. Periodically charge the product at least 8 hours every three months when storage.
 3. Keep out of water or rain for proper use. The perfect working temperature is between 0°C and 40°C.
 4. Once the product is out of operation, do not open or repair unless the qualified person.

HOW TO OPERATE

1. See drawing 1, turn the switch according, to the arrow the lantern is on.
2. Turn the switch converse to the arrow, the lantern off.



Drawing 1

HOW TO CHARGE

1. Make sure the power supply is consistent with the rating of product before charging.
2. Connect the power supply, the charge indicator lights up to show the product is under charging. Switch off the product during charging.
3. The product may become slightly warm during charging.

Correct Disposal of this product



This marking indicates that this product should not be disposed with other household wastes. To prevent possible harm to the environment or human health from uncontrolled waste disposal, recycle it responsibly to promote the sustainable reuse of material resources. To return your used device, please use the return and collection systems or contact the retailer where the product was purchased.

TECHNICAL DATA

1. Power source: 220-240V ~ 50/60Hz
2. Battery: 2x4V1600mAh sealed lead-acid rechargeable batteries
3. Light source: 120pcs bright LED
4. Charge time: 20-24 hours
5. Duration: 1 hour / strong light
15 hours / weak light
6. Dimension: 402x32x61mm