

INSTRUCTIONS

18"/20" 2 in 1 / 3 in 1 Stand Fan / Desk Fan / Wall Fan With Strong Power and New Design

Thank you for purchasing our product.

If losing any parts, please contact with your Agent.
Please assemble the fan step by step.

PARTS LIST:

- a. Electric Fan Body (or other types)
- b. Round Base
- c. Front Guard
- d. Blade (Plastic or aluminum)
- e. Back Guard
- f. Outside Pipe
- g. Inside Pipe
- h. Guard Mark
- i. Spinner (Only for plastic blade)
- j. Guard Lock (Only for 18" fan)
- **4 screws for 20" fan
- k. Oscillator
- l. Set Screw
- m. Nut For Fan Body
- n. Outside Pipe Connector
- o. Decoration Cover
- p. Inside Pipe Connector
- q. 4 Screws For Base
- r. 4 Nuts For Base
- s. 5 Rubbers For Base
- t. Knob For Pull
- u. Wall Mount (Only for 3 in 1)
- v. Desk Mount (Only for 2 in 1)

CAUTION:

- * Never touch the Front and Back Guard when the power is on.
- * Never wet the fan.
- * Periodically clean the upper part to have clear wind, and ensure the power is off.
- * Fans for temperate climates.
- * If the supply cord is damaged, it must be replaced by the manufacturer or its service agent or a similarly qualified person in order to avoid a hazard.

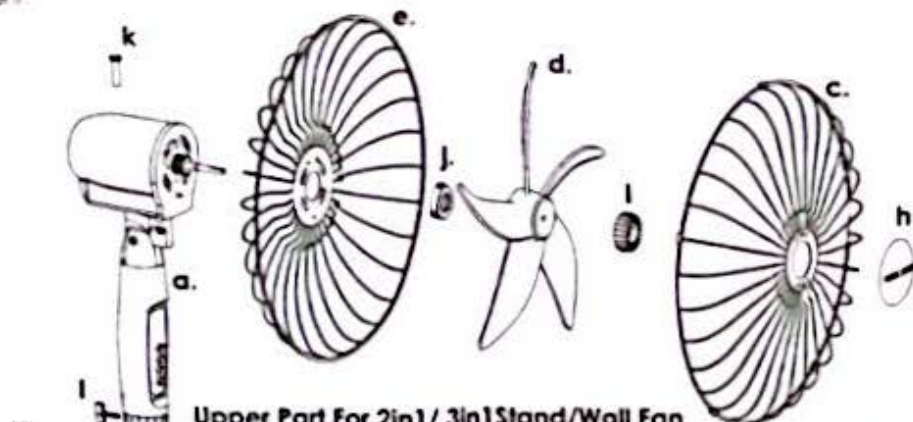
A-Instruction for safe use providing:

- 1- This appliance is not intended for use persons (including children) with reduced physical, sensory or mental capabilities, or lack of experiences and knowledge, unless they have been given supervision or instruction concerning use of the appliance by a person responsible for their safety.
- 2- Children should be supervised to ensure that they do not play with the appliance.
- 3- If the power cable damaged please contact the nearest agent in your city.

B-Symbol for protective earth terminals:



Please do not make illegal copies of this paper.
Copyright (R) 2024. All rights reserved.

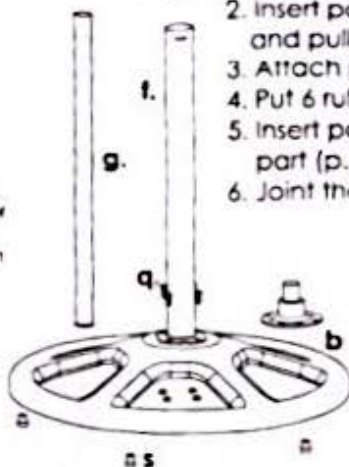


Upper Part For 2in1/3in1 Stand/Wall Fan

1. On condition that making arrow of part (e.) up, fix part (e.) to part (a.) with part (j.).
2. Line up part (d.) into the motor of part (a.) and fix with part (i.) in anti-clockwise.
3. Put part (h.) into part (c.), attach part (c.) to part (e.) with the buttons of part (c.).
4. Put part (m.) into the bottom of part (a.).
5. Make part (l.) go through part (a.) and (m.), but do not screw too deep.

Lower Part For Stand Fan

1. Line up part (p.) into part (f.), and attach them. Do not break the teeth of part (p.).
2. Insert part (g.) into the bottom of part (f.) carefully, for the sharp-edged part (g.) and pull out part (g.) to the maximum.
3. Attach part (f.) to (b.) with 4 screws (part q.) and 4 nuts (part r.).
4. Put 6 rubbers (part s.) into the holes in the bottom of part (b.).
5. Insert part (o.) into part (f.), then screw part (n.) and part (p.) together.
6. Joint the upper and lower parts.



Lower Part For 2in1 Desk Fan

1. Put part (s.) into the holes in the bottom of part (b.).
2. Attach part (v.) and part (b.) with 4 screws part (q.) and 4 nuts (part r.).
3. Put part (o.) on part (v.).
4. Joint part (a.) and part (v.) with part (l.).

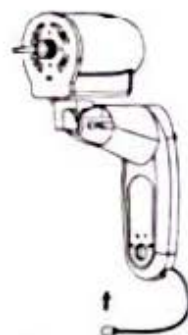
3 in 1 Wall Fan

1. Fix part (u.) on wall.
2. Joint part (a.) and part (u.) with part (l.).

New 18"/20" Stand/Wall Fan

- * Banana-like Blade
- * Saving more Electricity
- * Strong and Quiet Motor
- * Adjustable Height
- * Hard-Structure Design
- * Safe Guard
- * Piano Switch Buttons (or electronic control)

Sales Agent



Lower Part For Wall Fan

1. Insert part (t.) into wall fan's rope, and knot the rope.
2. Hang wall fan on wall.