

# Product datasheet

Specifications



## Miniature plug in timing relay, Harmony, 5A, 2CO, 0.1s..100h, on Delay, 230V AC

REXL2TMP7

### Main

Range of product	Harmony Timer Relays
Product or component type	Single function relay
Fixing mode	Plug-in (socket)
Discrete output type	Relay
Contacts type and composition	2 C/O
Component name	REXL
Time delay type	Power on-delay
Time delay range	10...100 h 1...10 min 1...10 h 0.1...1 s 6...60 min 6...60 s 1...10 s

### Complementary

Contacts material	Cadmium free
[Us] rated supply voltage	230 V AC 50/60 Hz
Voltage range	0.85...1.15 Us
[In] rated current	5 A AC
Repeat accuracy	+/- 0.5 %
Setting accuracy of time delay	10 % at full scale at 25 °C conforming to EN/IEC 61812-1
Temperature drift	0.05 %/°C
Maximum reset time	250 ms after time delay, on de-energisation 50 ms during time delay, on de-energisation
Voltage drift	+/- 0.2 %/V
Maximum switching capacity	4 x 5 A
Maximum temporary permissible current	10 A for < 10 s
Minimum switching current	100 mA
Electrical durability	100000 cycles at 250 V AC resistive
Mechanical durability	10000000 cycles
Maximum power consumption	3 VA

<b>[Ui] rated insulation voltage</b>	250 V conforming to IEC 255 Group C 250 V conforming to VDE 0010
<b>Output overvoltage protection</b>	2 J
<b>Surge withstand</b>	2 kV conforming to EN/IEC 61000-4-5 level 3
<b>Creepage distance</b>	4 kV/3 conforming to IEC 60664-1
<b>Local signalling</b>	1 LED (red) for output in operation 1 LED (yellow) for power ON
<b>Net weight</b>	0.05 kg

## Environment

<b>Immunity to microbreaks</b>	5 ms
<b>Dielectric strength</b>	2 kV for 1 mA/1 minute at 50 Hz conforming to EN/IEC 60601-1 2 kV for 1 mA/1 minute at 50 Hz conforming to EN/IEC 61812-1
<b>Standards</b>	EN/IEC 60601-1 89/336/EEC EN 61000-6-2 EN 50081-2 EN/IEC 61812-1 73/23/EEC EN/IEC 60601-2 93/68/EEC
<b>Product certifications</b>	UL cUL
<b>Ambient air temperature for operation</b>	-20...60 °C
<b>Ambient air temperature for storage</b>	-40...70 °C
<b>IP degree of protection</b>	IP50 conforming to IEC 60529
<b>Vibration resistance</b>	0.35 mm (f= 10...55 Hz) conforming to IEC 60068-2-6
<b>Relative humidity</b>	95 % without condensation conforming to IEC 60068-2-6
<b>Resistance to electrostatic discharge</b>	6 kV in contact conforming to EN/IEC 61000-4-2 level 3 8 kV in air conforming to EN/IEC 61000-4-2 level 3
<b>Resistance to electromagnetic fields</b>	10 V/m conforming to EN/IEC 61000-4-3 level 3
<b>Resistance to fast transients</b>	2 kV conforming to EN/IEC 61000-4-4 level 3
<b>Immunity to radioelectric fields</b>	10 V (0.15...80 MHz) conforming to EN/IEC 61000-4-6 level 3
<b>Immunity to voltage dips</b>	>= 95 % / 1 s conforming to EN/IEC 61000-4-11 30 % / 10 ms conforming to EN/IEC 61000-4-11 60 % / 100 ms conforming to EN/IEC 61000-4-11
<b>Disturbance radiated/ conducted</b>	Class B conforming to EN 55022 (EN 55011 group 1)

## Packing Units

<b>Unit Type of Package 1</b>	PCE
<b>Number of Units in Package 1</b>	1
<b>Package 1 Height</b>	3.0 cm
<b>Package 1 Width</b>	3.0 cm
<b>Package 1 Length</b>	7.5 cm
<b>Package 1 Weight</b>	50.0 g
<b>Unit Type of Package 2</b>	S01
<b>Number of Units in Package 2</b>	48
<b>Package 2 Height</b>	15.0 cm
<b>Package 2 Width</b>	15.0 cm

<b>Package 2 Length</b>	40.0 cm
<b>Package 2 Weight</b>	2.606 kg

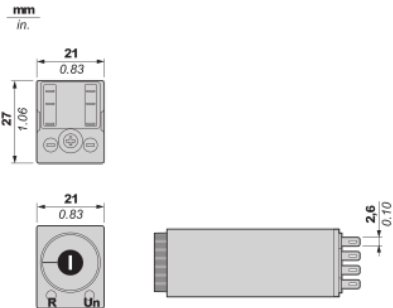
## Offer Sustainability

<b>Sustainable offer status</b>	Green Premium product
<b>REACH Regulation</b>	<a href="#">REACH Declaration</a>
<b>EU RoHS Directive</b>	Pro-active compliance (Product out of EU RoHS legal scope) <a href="#">EU RoHS Declaration</a>
<b>Mercury free</b>	Yes
<b>China RoHS Regulation</b>	<a href="#">China RoHS declaration</a>
<b>RoHS exemption information</b>	Yes
<b>Environmental Disclosure</b>	<a href="#">Product Environmental Profile</a>
<b>WEEE</b>	The product must be disposed on European Union markets following specific waste collection and never end up in rubbish bins

## Contractual warranty

<b>Warranty</b>	18 months
-----------------	-----------

Width 21 mm



**Terminal Referencing**

---



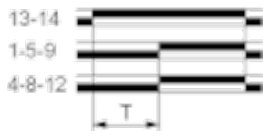
**Function A : Power on Delay Relay**

---

**Description**

The timing period T begins on energisation. After timing, the outputs close.

2 Timed C/O Contacts



**Legend**

---

- Relay de-energised
- Relay energised
- Output open
- Output closed

R	Relay output
T	Timing period

**Recommended replacement(s)**