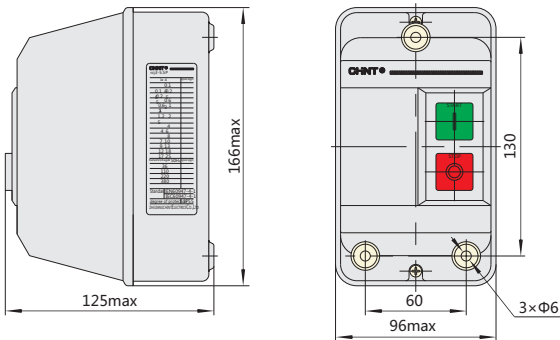


Table 1 Basic Model and main technical parameter of the starter

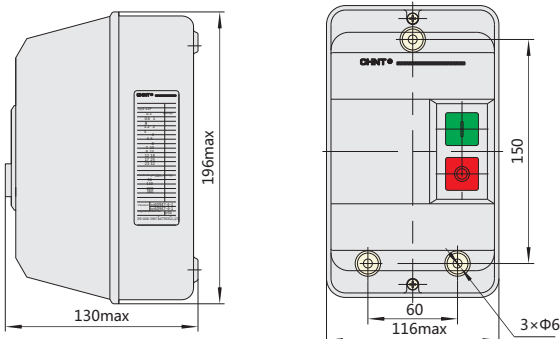
Model	Rated working current (A)	Maximum rated Power (kW)			Model of equipped AC contactor	TOR matched	Range of setting current A
		AC-3					
		660V	380V	220V			
NQ3-5.5P	12	7.5	5.5	3	NC1-1810	NR2-25	0.1~0.16 0.16~0.25 0.25~0.4 0.4~0.63 0.63~1 1~1.6 1.25~2 1.6~2.5 2.5~4 4~6 5.5~8 7~10 9~13 12~18 17~25
NQ3-11P	22	15	11	5.5	NC1-3210		

4. Overall and mounting dimension (mm)

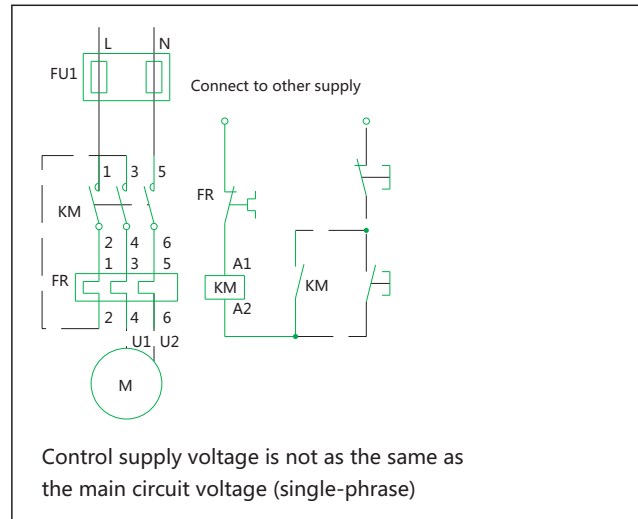
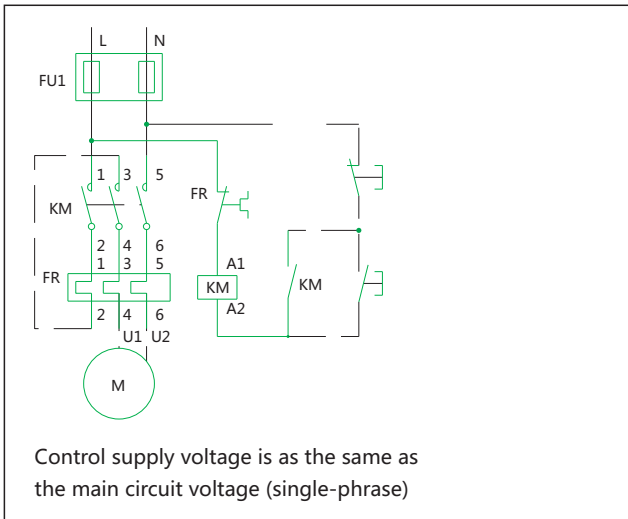
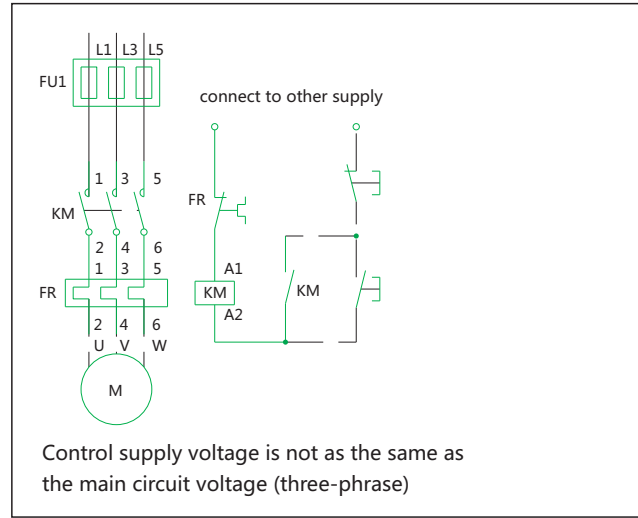
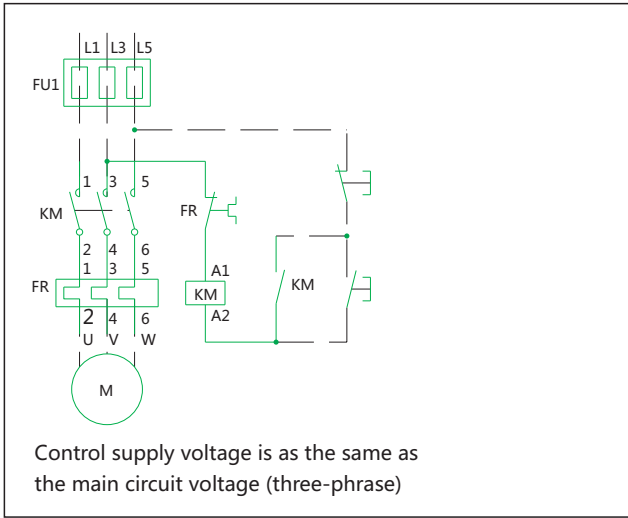
NQ3-5.5P



NQ3-11P

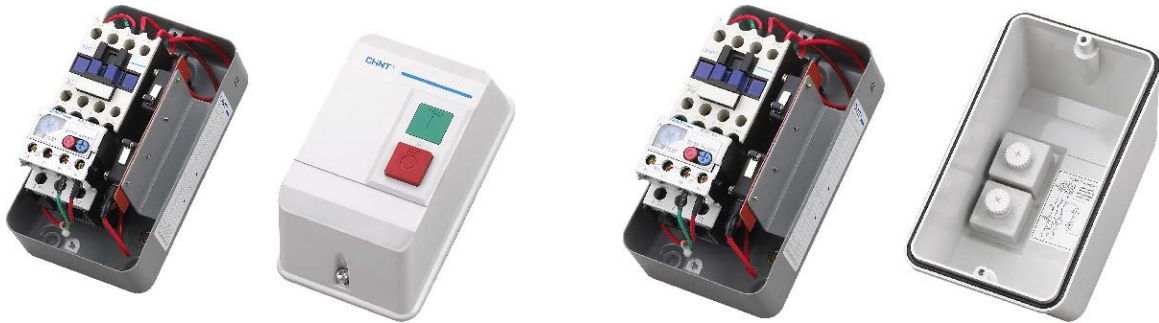


5. Wiring Diagram



6. Picture

NQ3-5.5P



NQ3-11P

