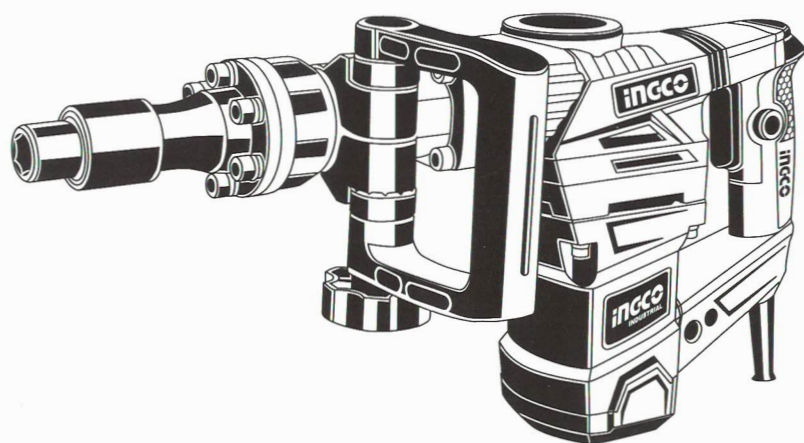


INGCO



INGCO TOOLS CO., LIMITED
www.ingco.com
MADE IN CHINA
0818.V03

PDB13008 UPDB13008 PDB13008-6 PDB13008-8 PDB13008S

INGCO

Demolition Breaker


EN Demolition Breaker



PDB13008 UPDB13008 PDB13008-6
PDB13008S PDB13008-8



GENERAL POWER TOOL SAFETY WARNINGS

 **WARNING** Read all safety warnings and all instructions. Failure to follow the warnings and instructions may result in electric shock, fire and/or serious injury.

Save all warnings and instructions for future reference.

The term "power tool" in the warnings refers to your mains-operated (corded) power tool or battery-operated (cordless) power tool.

1) Work area safety

- a) **Keep work area clean and well lit.** Cluttered and dark areas invite accidents.
- b) **Do not operate power tools in explosive atmospheres, such as in the presence of flammable liquids, gases or dust.** Power tools create sparks which may ignite the dust or fumes.
- c) **Keep children and bystanders away while operating a power tool.** Distractions can cause you to lose control.

2) Electrical safety

- a) **Power tool plugs must match the outlet. Never modify the plug in any way. Do not use any adapter plugs with earthed (grounded) power tools.** Unmodified plugs and matching outlets will reduce risk of electric shock.
- b) **Avoid body contact with earthed or grounded surfaces such as pipes, radiators, ranges and refrigerators.** There is an increased risk of electric shock if your body is earthed or grounded.
- c) **Do not expose power tools to rain or wet conditions.** Water entering a power tool will increase the risk of electric shock.
- d) **Do not abuse the cord. Never use the cord for carrying, pulling or unplugging the power tool. Keep cord away from heat, oil, sharp edges or moving parts.** Damaged or entangled cords increase the risk of electric shock.
- e) **When operating a power tool outdoors, use an extension cord suitable for outdoor use.** Use of a cord suitable for outdoor use reduces the risk of electric shock.
- f) **If operating a power tools in a damp location is unavoidable, use**

a residual current device (RCD) protected supply. Use of an RCD reduces the risk of electric shock.

3) Personal safety

- a) **Stay alert, watch what you are doing and use common sense when operating a power tool. Do not use a power tool while you are tired or under the influence of drugs, alcohol or medication.** A moment of inattention while operating power tools may result in serious personal injury.
- b) **Use personal protective equipment. Always wear eye protection.** Protective equipment such as dust mask, non-skid safety shoes, hard hat, or hearing protection used for appropriate conditions will reduce personal injuries.
- c) **Prevent unintentional starting. Ensure the switch is in the off-position before connecting to power source and/or battery pack, picking up or carrying the tool.** Carrying power tools with your finger on the switch or energizing power tools that have the switch on invites accidents.
- d) **Remove any adjusting key or wrench before turning the power tool on.** A wrench or a key left attached to a rotating part of the power tool may result in personal injury.
- e) **Do not overreach. Keep proper footing and balance at all times.** This enables better control of the power tool in unexpected situations.
- f) **Dress properly. Do not wear loose clothing or jewellery. Keep your hair, clothing and gloves away from moving parts.** Loose clothes, jewellery or long hair can be caught in moving parts.
- g) **If devices are provided for the connection of dust extraction and collection facilities, ensure these are connected and properly used.** Use of dust collection can reduce dust-related hazards.

4) Power tool use and care

- a) **Do not force the power tool. Use the correct power tool for your application.** The correct power tool will do the job better and safer at the rate for which it was designed.
- b) **Do not use the power tool if the switch does not turn it on and off.** Any power tool that cannot be controlled with the switch is dangerous

and must be repaired.

- c) **Disconnect the plug from the power source and/or the battery pack from the power tool before making any adjustments, changing accessories, or storing power tools.** *Such preventive safety measures reduce the risk of starting the power tool accidentally.*
- d) **Store idle power tools out of the reach of children and do not allow persons unfamiliar with the power tool or these instructions to operate the power tool.** *Power tools are dangerous in the hands of untrained users.*
- e) **Maintain power tools. Check for misalignment or binding of moving parts, breakage of parts and any other condition that may affect the power tools operation. If damaged, have the power tool repaired before use.** *Many accidents are caused by poorly maintained power tools.*
- f) **Keep cutting tools sharp and clean.** *Properly maintained cutting tools with sharp cutting edges are less likely to bind and are easier to control.*
- g) **Use the power tool, accessories and tool bits etc. in accordance with these instructions, taking into account the working conditions and the work to be performed.** *Use of the power tool for operations different from those intended could result in a hazardous situation.*

5) Service

- a) **Have your power tool serviced by a qualified repair person using only identical.** *This will ensure that the safety of the power tool is maintained.*

Additional Safety Warnings

Hammer safety warnings

- **Wear ear protectors.** *Exposure to noise can cause hearing loss.*
- **Use auxiliary handle(s), if supplied with the tool.** *Loss of control can cause personal injury.*
- **Hold power tool by insulated gripping surfaces, when performing an operation where the cutting accessory may contact hidden wiring or its own cord.** *Cutting accessory contacting a "live" wire may make exposed metal parts of the power tool "live" and could give the operator an electric shock.*

SPECIFICATIONS

Model No.	PDB13008	PDB13008-6 (ISRAEL Plug)	PDB13008-8 (BS Plug)	PDB13008S (SAA Plug)	UPDB13008
Rated voltage	220-240V~50/60Hz				110-120V~50/60Hz
Input Power	1300W				1300W
Impact Rate	3800/min				3800/min
Impact Force	20J				20J
Tool Mounting	Max.18				Max.18
Protection Class	II / II				II / II

- Manufacturer reserves the right to change specifications without notice.
- Specifications may differ from country to country.

GENERAL SAFETY RULES

(For All Tools)

△ WARNING:

Read and understand all instructions. Failure to follow all instructions listed below, may result in electric shock, fire and/or serious personal injury.

SAVE THESE INSTRUCTIONS

Work Area

1. **Keep your work area clean and well lit.** Cluttered benches and dark areas invite accidents.
2. **Do not operate power tools in explosive atmospheres, such as in the presence of flammable liquids, gases, or dust.** Power tools create sparks which may ignite the dust or fumes.
3. **Keep bystanders, children, and visitors away while operating a power tool.** Distractions can cause you to lose control.

Electrical Safety

4. **Grounded tools must be plugged into an outlet properly installed and grounded in accordance with all codes and ordinances.** Never remove the grounding prong or modify the plug in any way. Do not use any adaptor plugs. Check with a qualified electrician if you are in doubt as

to whether the outlet is properly grounded. If the tools should electrically malfunction or break down, grounding provides a low resistance path to carry electricity away from the user.

5. **Avoid body contact with grounded surfaces such as pipes, radiators, ranges and refrigerators.** There is an increased risk of electric shock if your body is grounded.
6. **Do not expose power tools to rain or wet conditions.** Water entering a power tool will increase the risk of electric shock.
7. **Do not abuse the cord. Never use the cord to carry the tools or pull the plug from an outlet. Keep cord away from heat, oil, sharp edges or moving parts. Replace damaged cords immediately.** Damaged cords increase the risk of electric shock.

8. **When operating a power tool outside, use an outdoor extension cord marked “W-A” or “W”.** These cords are rated for outdoor use and reduce the risk of electric shock.

Personal Safety

9. **Stay alert, watch what you are doing and use common sense when operating a power tool. Do not use tool while tired or under the influence of drugs, alcohol, or medication.** A moment of inattention while operating power tools may result in serious personal injury.
10. **Dress properly. Do not wear loose clothing or jewelry. Contain long hair. Keep your hair, clothing, and gloves away from moving parts.** Loose clothes, jewelry, or long hair can be caught in moving parts.
11. **Avoid accidental starting. Be sure switch is off before plugging in.** Carrying tools with your finger on the switch or plugging in tools that have the switch on invites accidents.
12. **Remove adjusting keys or wrenches before turning the tool on.** A wrench or a key that is left attached to a rotating part of the tool may result in personal injury.
13. **Do not overreach. Keep proper footing and balance at all times.** Proper footing and balance enables better control of the tool in unexpected situations.
14. **Use safety equipment. Always wear eye protection.** Dust mask, non-skid safety shoes, hard hat, or hearing protection must be used for appropriate conditions. Ordinary eye or sun glasses are NOT eye protection.

Tool Use and Care

15. **Use clamps or other practical way to secure and support the workpiece to a stable platform.** Holding the work by hand or against your body is unstable and may lead to loss of control.

16. **Do not force tool. Use the correct tool for your application.** The correct tool will do the job better and safer at the rate for which it is designed.

17. **Do not use tool if switch does not turn it on or off.** Any tool that cannot be controlled with the switch is dangerous and must be repaired.

18. **Disconnect the plug from the power source before making any adjustments, changing accessories, or storing the tool.** Such preventive safety measures reduce the risk of starting the tool accidentally.

19. **Store idle tools out of reach of children and other untrained persons.** Tools are dangerous in the hands of untrained users.

20. **Maintain tools with care. Keep cutting tools sharp and clean.** Properly maintained tools with sharp cutting edges are less likely to bind and are easier to control.

21. **Check for misalignment or binding of moving parts, breakage of parts, and any other condition that may affect the tools operation. If damaged, have the tool serviced before using.** Many accidents are caused by poorly maintained tools.

22. **Use only accessories that are recommended by the manufacturer for your model.** Accessories that may be suitable for one tool, may become hazardous when used on another tool.

SERVICE

23. **Tool service must be performed only by qualified repair personnel.** Service or maintenance performed by unqualified personnel could result in a risk of injury.

24. **When servicing a tool, use only identical replacement parts. Follow instructions in the Maintenance section of this manual.** Use of unauthorized parts or failure to follow Maintenance instructions may create a risk of electric shock or injury.

SPECIFIC SAFETY RULES

DO NOT let comfort or familiarity with product (gained from repeated use) replace strict adherence to hammer safety rules. If you use this tool unsafely or incorrectly, you can suffer serious personal injury.

1. **Hold tools by insulated gripping surfaces when performing an operation where the cutting tool may contact hidden wiring or its own cord.** Contact with a “live” wire will make exposed metal parts of the tool “live” and shock the operator.
2. **Wear ear protectors when using the tool for extended periods.** Prolonged exposure to high intensity noise can cause hearing loss.
3. **Wear a hard hat (safety helmet), safety glasses and/or face shield.** Ordinary eye or sun glasses are NOT safety glasses. It is also highly recommended that you wear a dust mask and thickly padded gloves.
4. **Be sure the bit is secured in place before operation.**
5. **Under normal operation, the tool is designed to produce vibration.** The screws can come loose easily, causing a breakdown or accident. Check tightness of screws carefully before operation.
6. **In cold weather or when the tool has not been used for a long time, let the tool**

warm up for a while by operating it under no load. This will loosen up the lubrication. Without proper warm-up, hammering operation is difficult.

7. **Always be sure you have a firm footing.** Be sure no one is below when using the tool in high locations.
8. **Hold the tool firmly with both hands.**
9. **Keep hands away from moving parts.**
10. **Do not leave the tool running.** Operate the tool only when hand-held.
11. **Do not point the tool at any one in the area when operating.** The bit could fly out and injure someone seriously.
12. **Do not touch the bit or parts close to the bit immediately after operation;** they may be extremely hot and could burn your skin.
13. **Some material contains chemicals which may be toxic.** Take caution to prevent dust inhalation and skin contact. Follow material supplier safety data.

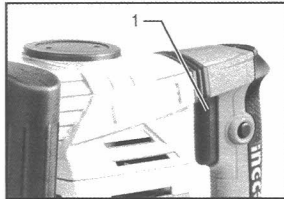
SAVE THESE INSTRUCTIONS

⚠ WARNING:
MISUSE or failure to follow the safety rules stated in this instruction manual may cause serious personal injury.

FUNCTIONAL DESCRIPTION

⚠ CAUTION:

- Always be sure that the tool is switched off and unplugged before adjusting or checking function on the tool.



1. Switch trigger

Switch action

⚠ CAUTION:

- Before plugging in the tool, always check to see that the switch trigger actuates properly and returns to the "OFF" position when released.

To start the tool, simply pull the switch trigger. Release the switch trigger to stop.

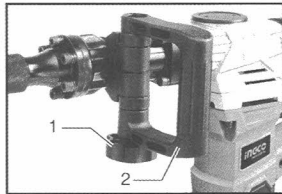
ASSEMBLY

⚠ CAUTION:

- Always be sure that the tool is switched off and unplugged before carrying out any work on the tool.

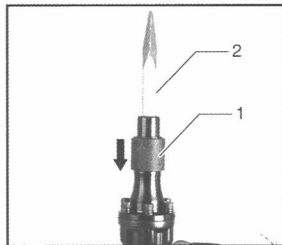
Side handle (auxiliary handle)

The side handle swings around 360° on the vertical as well as back and forth on the horizontal. Turn the clamp nut clockwise to secure the handle in the desired position.

1. Clamp nut
2. Side handle

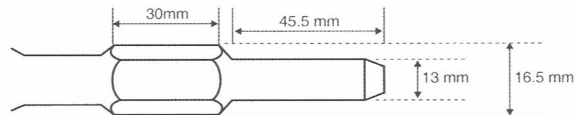
Installing or removing the bit

Clean the bit shank before installing the bit.
Press in the tool retainer.

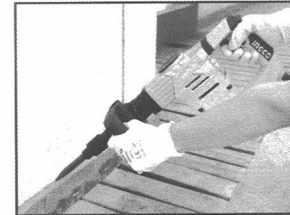
1. Tool retainer
2. Bit

Insert the bit into the tool holder.
Then release it to secure the bit.

To remove the bit, follow the installation procedure in reverse.



OPERATION



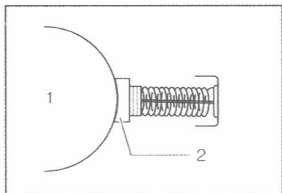
Chipping/Scaling/Demolition

Hold the tool firmly with both hands. Turn the tool on and apply slight pressure on the tool so that the tool will not bounce around, uncontrolled. Pressing very hard on the tool will not increase the efficiency.

MAINTENANCE

⚠ CAUTION:

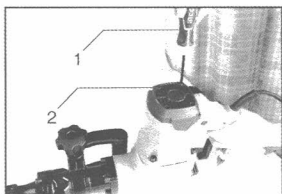
- Always be sure that the tool is switched off and unplugged before attempting to perform inspection or maintenance.



1. Commutator
2. Carbon brush

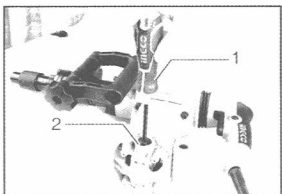
Replacing carbon brushes

When carbon brushes used up or worn, both carbon brushes should be replaced. Keep the carbon brushes clean and free to slip in the holders. Both carbon brushes should be replaced at the same time. Use only identical carbon brushes.



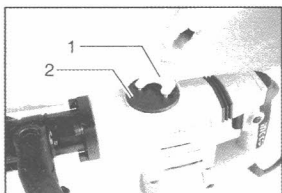
1. Phillips screwdriver
2. Rear cover

Use a phillips screwdriver to remove the rear cover.



1. Slotted screwdriver
2. Brush holder cap

Use a slotted screwdriver to remove the brush holder caps. Take out the worn carbon brushes, insert the new ones and secure the brush holder caps.



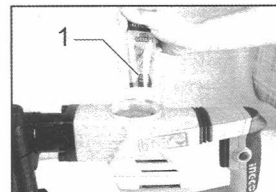
1. Lock nut wrench
2. Crank cap

Lubrication

This tool requires no hourly or daily lubrication INGCO. If circumstances require that you should lubricate it by yourself, proceed as follows.

Run the tool for several minutes to warm it up. Switch off and unplug the tool.

Remove the crank cap using a INGCO lock nut wrench. Rest the tool on the table with the bit end pointing upwards. This will allow the old grease to collect inside the crank housing.



1. Hammer grease

Wipe out the old grease inside and replace with a fresh grease (40 g; 1.4 oz). Use only INGCO genuine hammer grease. Filling with more than the specified amount of grease (40 g; 1.4 oz) can cause faulty hammering action or tool failure. Fill only with the specified amount of grease.

Reinstall the crank cap and tighten with the lock nut wrench.

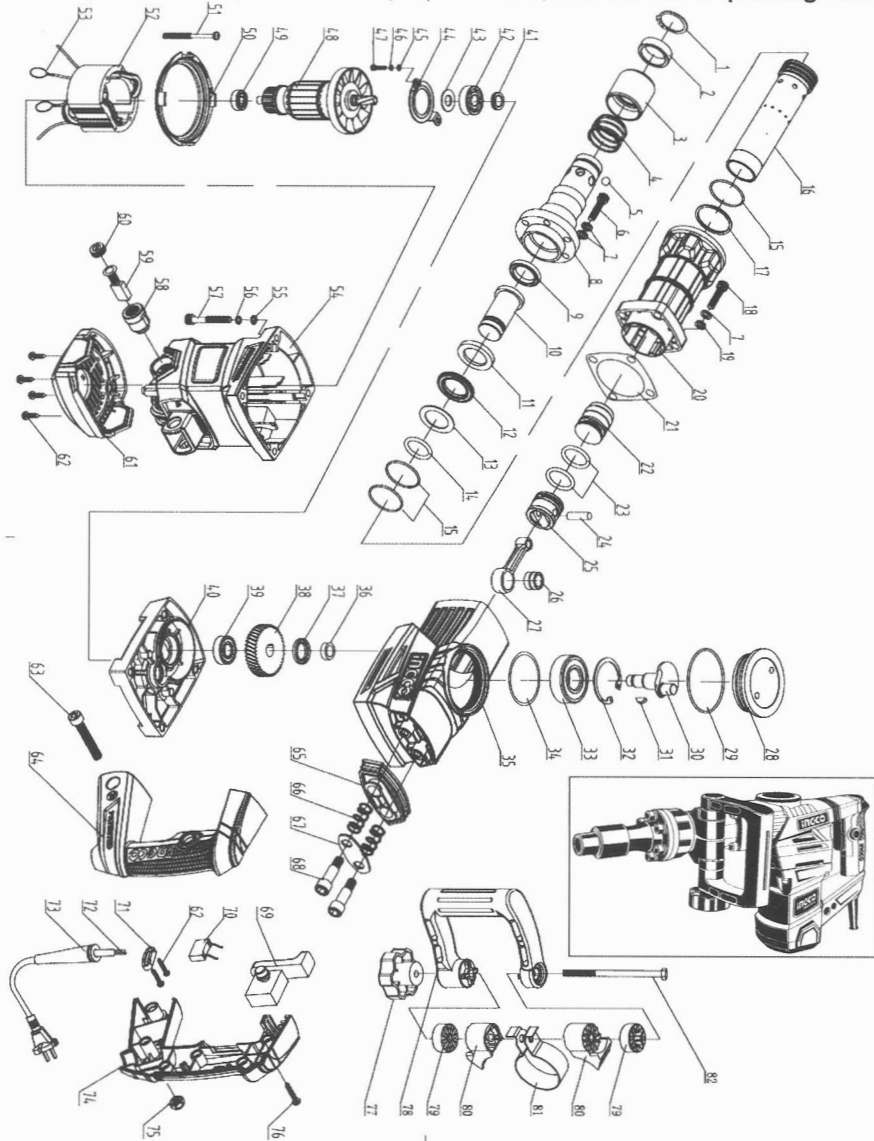
⚠ CAUTION:

- Do not tighten the crank cap excessively. It is made of resin and is subject to breakage.

To maintain product SAFETY and RELIABILITY, repairs, any other maintenance or adjustment should be performed by INGCO Authorized Service Centers, always using INGCO replacement parts.

INGCO**EXPLODING VIEW**

PDB13008,UPDB13008,PDB13008-6,PDB13008-8,PDB13008S Exploding view

**INGCO****SPARE PART LIST**

PDB13008,UPDB13008,PDB13008-6,PDB13008-8,PDB13008S Spare part list

No.	Exploding view	Qty	No.	Exploding view	Qty
1	ring 28	1	42	bearing 6201-RS	1
2	DG0810A position ring	1	43	washer 22*12*1.5	1
3	DG0810A slide sleeve	1	44	bearing board	1
4	DG0810A spring 31x2x29	1	45	flat washer4	2
5	ball7.94	6	46	spring washer4	2
6	screw M8X35	6	47	screw M4*12	2
7	washer8	10	48	rotor	1
8	headstrong 0845B	1	49	bearing 608-RS	1
9	buffer ring 0845B、FMR	1	50	fan guide	1
10	impact hammer 0811C	1	51	screw ST4.8*60	2
11	hammer washerDG0845B	1	52	stator	1
12	buffer ring 45DG、FMR	1	53	tension spring	2
13	flat washer25*37*1/DG0811C	1	54	motor	1
14	O- ring 22.5*5、 DG0845B	1	55	flat washer6	6
15	O- ring 41.5*2	3	56	spring washer6	6
16	cylinder 0845K、 40Cr	1	57	screw M6*50	4
17	cylinder ring DG0845B	1	58	brush holder	2
18	screw M8*35	4	59	carbon brush6*10*12.5、 42A、 220V	2
19	flat washer 8	4	60	brush cover	2
20	cylinder house 0845K	1	61	back cover	1
21	cylinder house washer	1	62	screw ST4.2*16-F	6
22	rammer DG0845K	1	63	screw M6*50	1
23	O- ring 28*3.6	2	64	left handle	1
24	position pin 8*34.5	1	65	anti-vibration sleeve	1
25	position	1	66	anti-vibration spring	2
26	needling bearingNK12/12、 YG/2	1	67	anti-vibration board	2
27	connecting rod	1	68	anti-vibration screw	2
28	oil cover	1	69	switch	1
29	O-ring 48*2.2	1	70	electric capacity 0.33μF	1
30	eccentric shaft	1	71	cable board	1
31	half round key	1	72	cable 2x1mm2	1
32	ring 47	1	73	cable sleeve	1
33	bearing 6303-RS	1	74	right handle	1
34	O-ring 46.2*2	1	75	nut M8	1
35	gear box	1	76	screw ST4.2*18	5
36	position sleeve	1	77	rotary knob	1
37	oil seal FB22*30*6	1	78	auxiliary handle	1
38	gear	1	79	knob set	2
39	bearing 6001-RS	1	80	clamp set	2
40	inner cover	1	81	hoop	1
41	anti-oil washer 0810C	1	82	screw M8*130	1