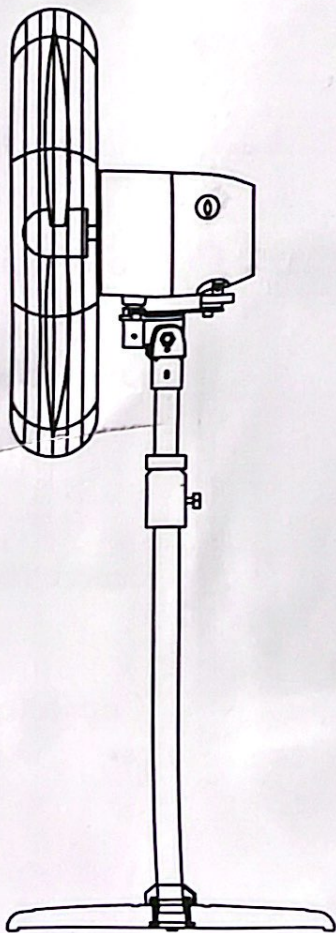


AGI

POWERFUL FAN



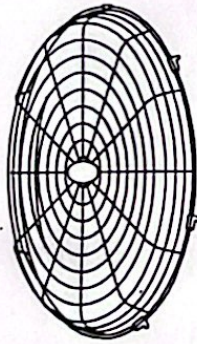
INSTRUCTION MANUAL

Please read the instructions carefully before use.

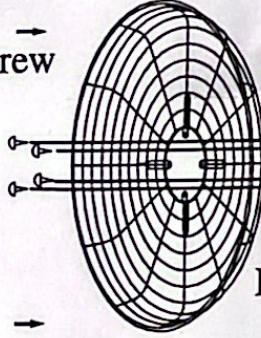
Assembly scheme

Stand Fan

Front guard



Back guard



Screw

Blade

Motor

Pallet

Screw

Inner lifting pole

Fixing screw

Lower joint

Lower standing pole

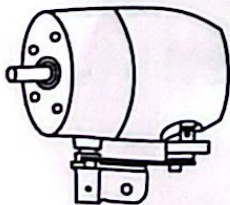
decorative cover

Connector

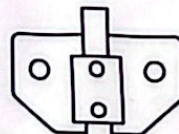
Base

WALL FAN

Motor

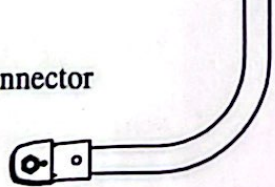


Wall mount plate

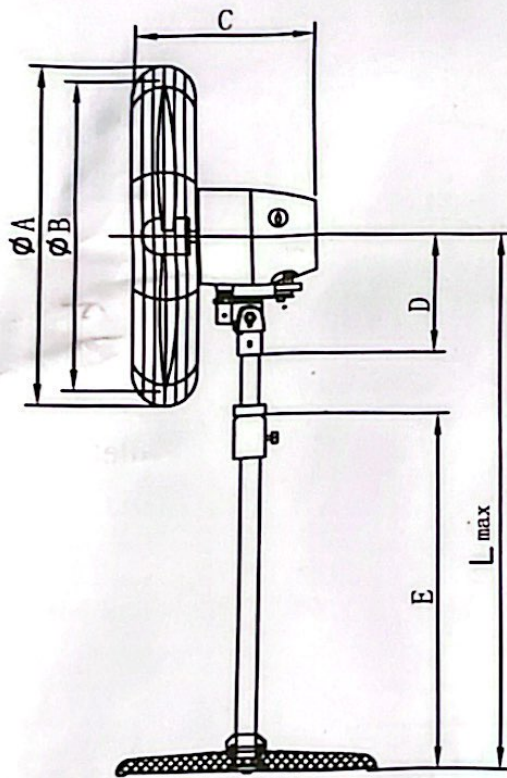


Wall mount tube

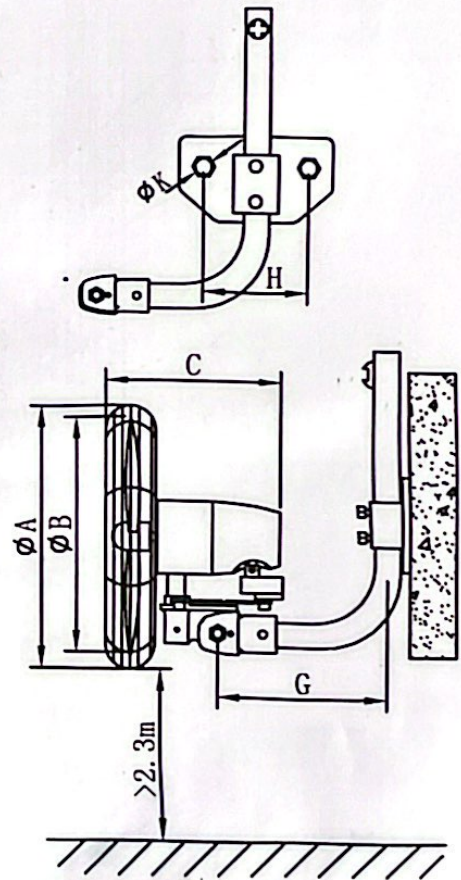
Connector



PRODUCT DIMENSIONS



Stand Fan



Wall Fan

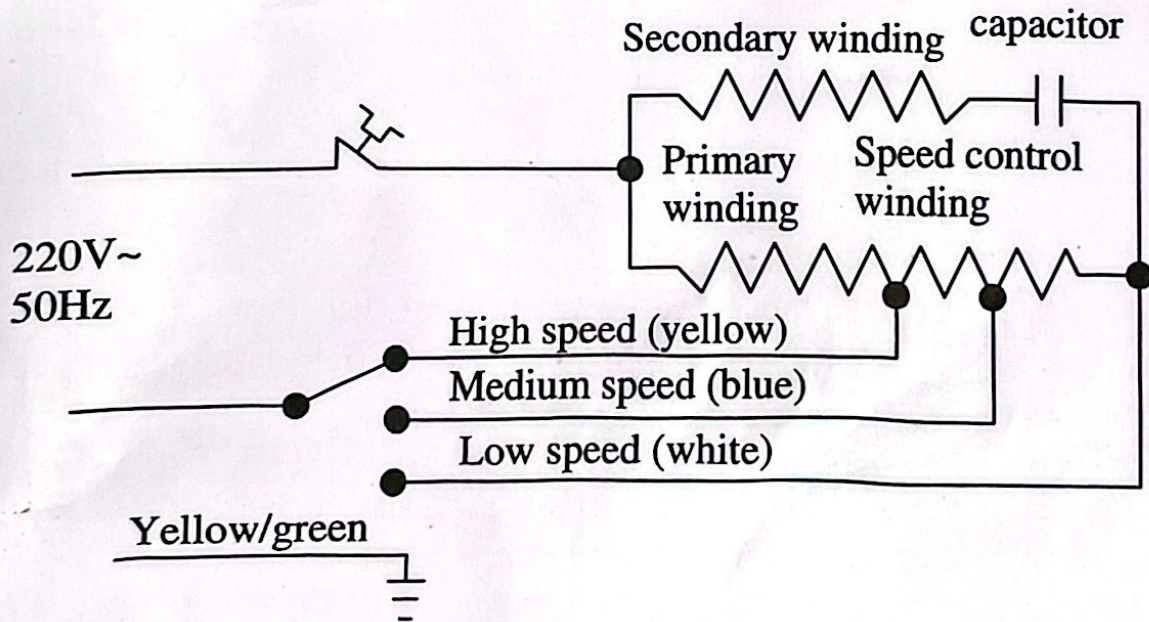
Parameter \ Item	A	B	C	D	E	F	G	H	K	L
Model										
AG-FS2065	560	500	360	205	765	600				
AG-FS2685	715	650	360	205	965	600				1520
AG-FS3095	815	750	360	205	965	660				1520
AG-FW2050	560	500	360				250	125	13	
AG-FW2665	715	650	360				250	125	13	
AG-FW3050	815	750	360				250	125	13	

FEATURE AND APPLICATION

Propeller Wall Fans & Stand Fans

- 20" (500mm) / 24" (600mm) / 26" (650mm) / 30" (750mm) available
- Hi performance motor with built-in thermal fuse
- Heavy duty application
- Well-balanced fan blade for steady operation and high air delivery
- Oscillating for desired blowing angle
- 3-speed control
- Wired wall switch available
- 2-blade or 3-blade leaves for selection
- Cross base stand for selection

WIRING DRAWING

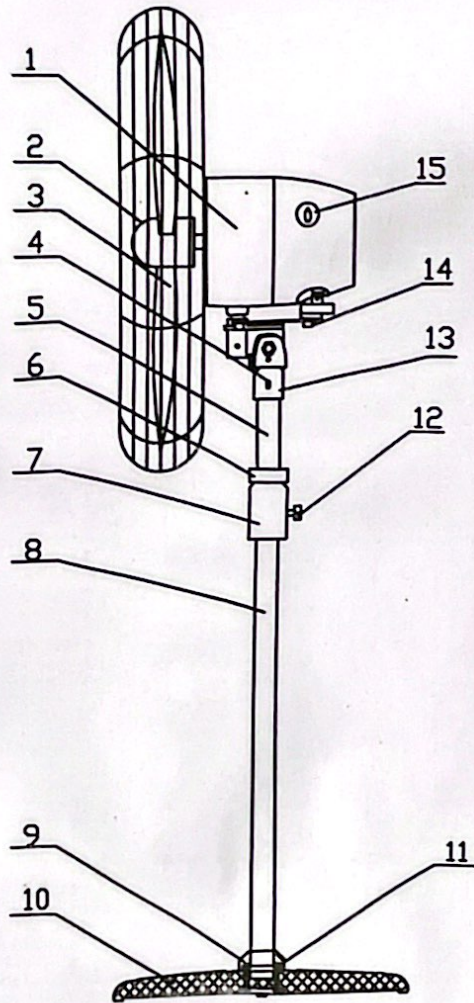


Specification

Voltage 220V Frequency 50Hz

Parameter Model	Item	Speed 1				Speed 2				Speed 3			
		R.P.M.	Air volume m ³ /min	Noise dB	Power W	R.P.M.	Air volume m ³ /min	Noise dB	Power W	R.P.M.	Air volume m ³ /min	Noise dB	Power W
AG-FS2065 AG-FW2050		1100	95	48	75	1250	116	50	80	1400	130	55	115
AG-FS2685 AG-FW2665		1100	150	55	142	1250	174	60	160	1400	220	68	187
AG-FS3095 AG-FW3050		1100	214	58	175	1250	270	70	195	1400	302	75	240

Specifications are subject to change without prior notice due to continuous product improvement.



Stand Fan

- | | |
|--------------------------|---------------------------------|
| 1. Motor | 2. Front guard & back guard |
| 3. Blade | 4. Holding screw |
| 5. Inner lifting pole | 6. Rubber washer |
| 7. Lower joint | 8. Lower standing pole |
| 9. Decorative cover | 10. Base |
| 11. Screw | 12. Fixing screw |
| 13. Upper joint | 14. Oscillation adjusting screw |
| 15. Speed control switch | |