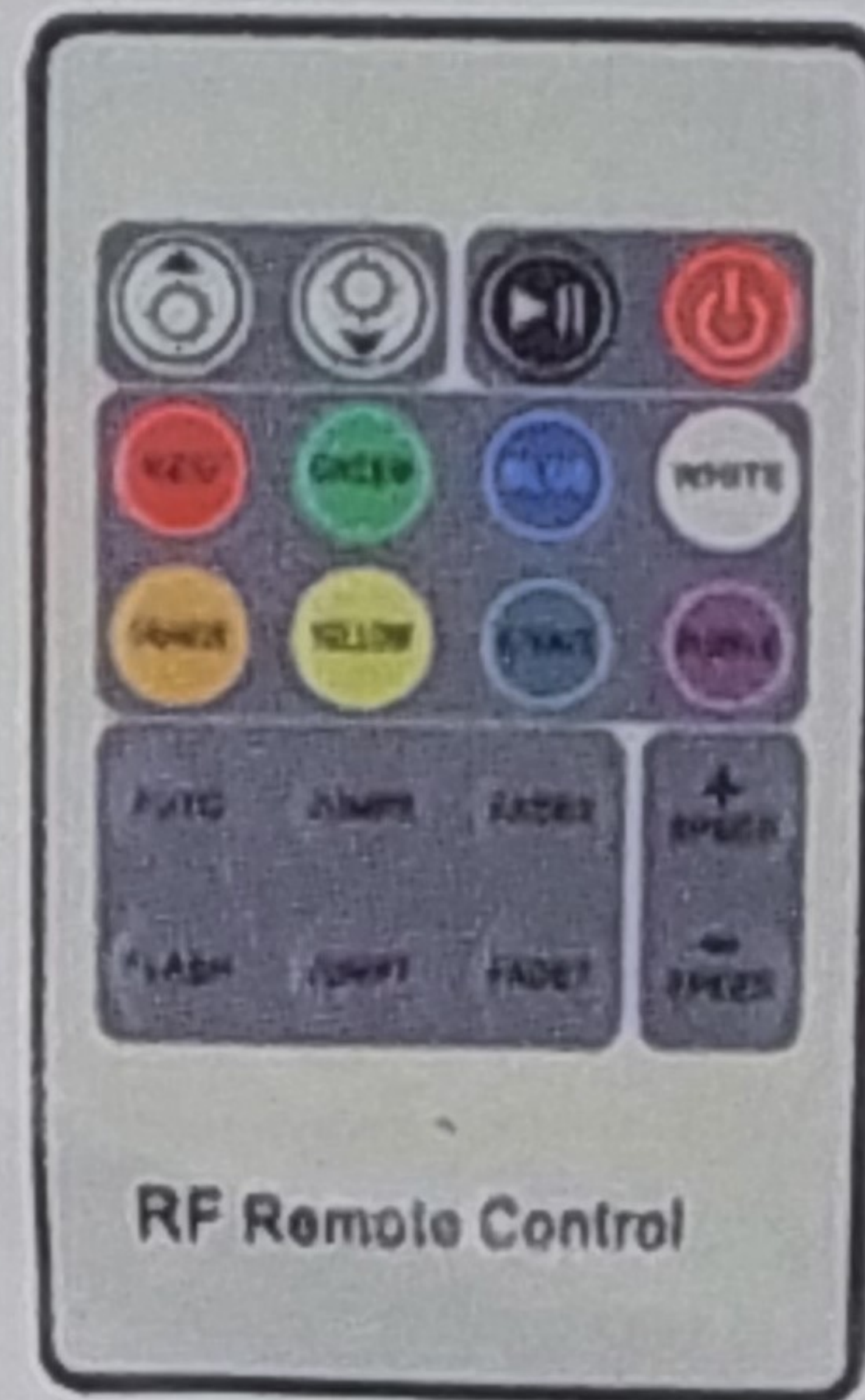


USER MANUAL



RF 20 KEY RGB CONTROLLER

I. Specifications:

Working temperature: -20-60 °C

Product size: L80×W64×H24mm

Output: Three CMOS drain- open output

Max load: 240W (12V)/480W (24V)

Supply voltage: DC12~24V

Net weight: 95g

Connecting Mode: Common anode

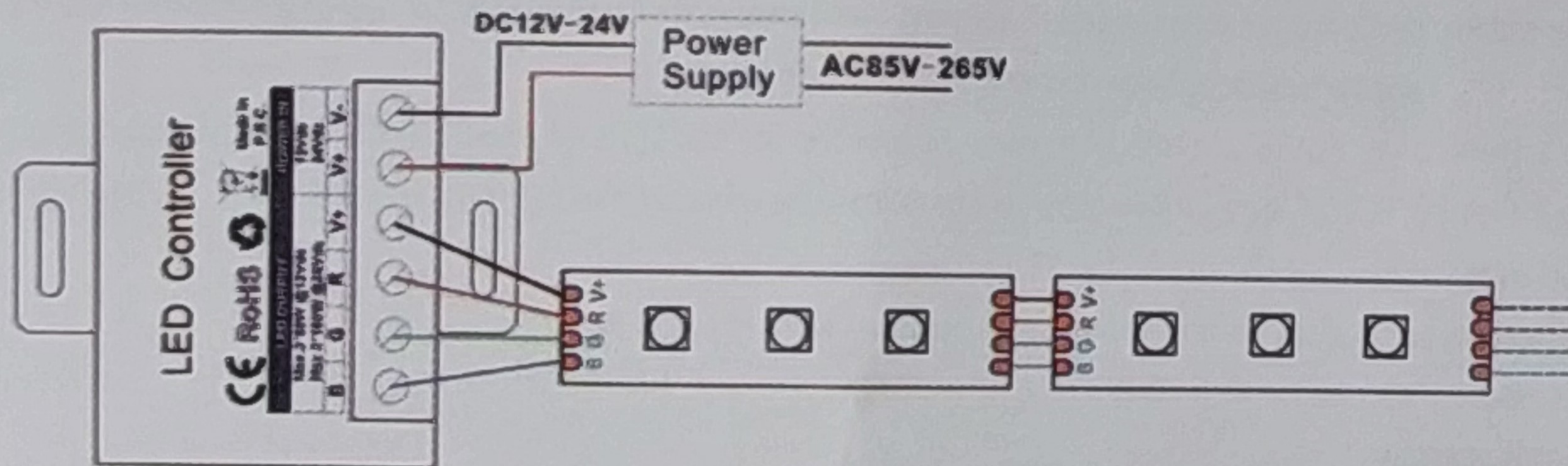
PWM frequency: 105±5Hz

II. Control Method:

Adopt RF remoter to control the led controller, which has 20 buttons, the function of each button as the table below:

Brightness +	Brightness-	pause	On/off
Static red	Static green	Static blue	Static white
Static orange	Static yellow	Static cyan	Static purple
Auto	3 base color jumpy	3 color fade change	Speed +
Flash	7 color jumpy change	7 color fade change	Speed -

III. Panel specification and connecting drawing as follows:



IV. Warning:

1. Supply voltage of this product is DC12~24V, never connect to other voltage.
2. Lead wire should be connected correctly according to colors that connecting diagram offers.
3. Warranty of this product is one year, but exclude the artificial situation of damaged or overload working.

RF CODE

Receiver can be controlled by any one the same remote as factory default; remote control delivered with unique RF code as factory default; if unique-control is needed, please matching the code before installation and using.

Matching code operation

Receiver and Remote Control are coded as default, matching them before using, if unique-control or new-coded-remote is needed, pairing the remote and the receiver as below operation instruction before using:

1. **Step 1:** Pressing key "FLASH" and hold on, power on the controller, the load LEDs will be 50% brightness white as responding.
2. **Step 2:** Pressing "FLASH" 3times in 3 seconds, corresponding to the operation, the LED's brightness will change as 25%-10%-back to preset mode.
3. Code learning successfully, the receiver only can be controlled by the remote.
4. If not, please re-operate from step 1 to 2.

Clear code operation

Back to factory default, wall-panel can be controlled by any one the same remote control.

1. **Step 1:** Pressing key "JUMP7" and hold on, power on the controller, the load LEDs will be 50% brightness white as responding.
2. **Step 2:** Pressing "JUMP7" 3times in 3 seconds, corresponding to the operation, the LED's brightness will change as 25%-10%-back to preset mode.
3. Code clearing successfully, the LEDs will be back to the status before the power off, and the receiver can be controlled by any remote control (any one the same remote control can be used to clear the code).
4. If not, please re-operate from step 1 to 2.